

# MODULAR MOUNT

## MM-1000 SERIES

The challenge for retailers, warehouses and distribution centres when implementing technology is how to maximize limited space to mount that technology, while ensuring it is ergonomic and easy to use. Installed modular mounting solutions are regularly upgraded to utilize new technology, however the user often has no choice on where they can source this upgrade.

The exciting news is that the new MM-1000 Modular Mounting solution from ENS Group gives the user complete solution options to manage the space at their checkout or workstation and also to upgrade existing installations.

The MM-1000 Modular Mount incorporates a new generation of engineered materials for a durable & strong, yet modern looking POS solution. Designed to be value priced, easy to order, install & upgrade.

## MM-1000 FEATURES

- ✓ Uses the latest Engineered Polyamide Alloy materials for durability and industry leading design for today's markets
- ✓ Innovative cable management that is an industry first to hide and protect cables
- ✓ Offers a cost-effective solution for upgrading existing Pole based POS systems and workstations
- ✓ The ENS Pole allows full range of Device Installation heights on all four sides
- ✓ Tool-less tilt tensions adjustments on your Payment Terminal Mount
- ✓ Product Configurator to easily order exactly what you need (Coming soon)



EXISTING POLE REFRESH



NEW INSTALLATION  
WITH ENS POLE

[Watch Product Video](#)

# MM-1000 SERIES

LET OUR PRODUCT CONFIGURATOR CREATE YOUR POS SOLUTION

## POLE & BASE OPTIONS



16" (406mm)



24" (610mm)

## MONITOR MOUNT OPTIONS



OR...



Single Pivot with Channel\* Mount OR Channel\* Arm



OR...



Double Pivot with Channel\* Mount OR Channel\* Arm

\*If using your existing 44.5mm POS Pole, use ENS Collar Mounts or Collar Arms – use our Product Configurator or refer to the product numbers in this data sheet

## PAYMENT MOUNT OPTIONS



Payment Mount

PLUS...



Any FlexiPole Backplate

AND IF LOCKING IS REQUIRED -



Ken00148 Tether

OR



SD0001 Latch

## SUPPORTS ALL MAJOR PAYMENT DEVICES



## MM-1000 SERIES

LET OUR PRODUCT CONFIGURATOR CREATE YOUR POS SOLUTION

### PRINTER MOUNT OPTIONS



Printer Mount - Small

OR...



Printer Mount - Large

### SCANNER MOUNT OPTION



Scanner Mount

Attaches to  
75mm/100mm  
VESA Monitors

### EXAMPLE CONFIGURATIONS



Single Monitor  
Mount



Dual Monitor  
Mount with  
Printer Mount



Dual Monitor  
Mount with  
Payment Mount

## MM-1000 SERIES

### PRODUCT NUMBERS AND DATA

#### MM-10-116

- ✓ 16" (406mm) Tall Pole with Base, 1.75" (45mm) Diameter Pole
- ✓ Shipping Dimensions: 4.82" L X 4.81" W X 21.25" D
- ✓ Shipping Weight (lbs/kg): 1.00/.45



#### MM-10-124

- ✓ 24" (610mm) Tall Pole with Base, 1.75" (45mm) Diameter Pole
- ✓ Shipping Dimensions: 4.82" L X 4.81" W X 29.25" D
- ✓ Shipping Weight (lbs/kg): 1.30/.59



#### MM-10-201

- ✓ Collar Mount, use with existing 45mm Dia Poles, Rotates up to 320 degrees
- ✓ Shipping Dimensions: 4.56" L X 4.56" W X 3.56" D
- ✓ Shipping Weight (lbs/kg): .21/.09
- ✓ Use for attaching Single or Double Pivot Monitor Mount to your existing 1.75" (45mm) Dia Pole



Up to 320°\*  
Rotation

#### MM-10-202

- ✓ Collar Arm, use with existing 45mm Dia Poles, Rotates up to 320 degrees
- ✓ Shipping Dimensions: 5.13" L X 3.62" W X 8.0" D
- ✓ Shipping Weight (lbs/kg): 3.00/1.36
- ✓ Use for positioning your Monitor Mount away from your existing Pole



Up to 320°\*  
Rotation

\*Tilt/rotation limits are subject to Monitor size and position on pole.

## MM-1000 SERIES

### PRODUCT NUMBERS AND DATA

#### MM-10-203

- ✓ Channel Mount, use with New ENS MM-10-1XX Poles only
- ✓ Shipping Dimensions: 4.56" L X 4.56" W X 3.56" D
- ✓ Shipping Weight (lbs/kg): .65/.29
- ✓ Use for attaching Single or Double Pivot Monitor Mount to your ENS Pole MM-10-1XX



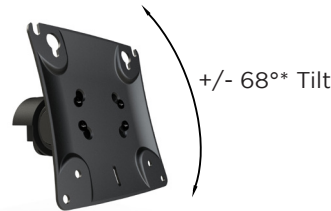
#### MM-10-204

- ✓ Channel Arm, use with New ENS MM-10-1XX Poles only
- ✓ Shipping Dimensions: 5.13" L X 3.62" W X 8.0" D
- ✓ Shipping Weight (lbs/kg): 2.31/1.05
- ✓ Use for positioning your Monitor away from the ENS Pole
- ✓ Required for all Payment and Printer Mounts



#### MM-10-301

- ✓ Monitor Mount, Single Pivot (up/down), for 75/100mm VESA compliant Monitors
- ✓ Shipping Dimensions: 4.56" L X 4.56" W X 3.56" D
- ✓ Shipping Weight (lbs/kg): .29/.13



#### MM-10-302

- ✓ Monitor Mount, Double Pivot (up/down and Left/Right), for 75/100mm VESA compliant Monitors
- ✓ Shipping Dimensions: 4.56" L X 4.56" W X 5.56" D
- ✓ Shipping Weight (lbs/kg): .57/.26



\*Tilt/rotation limits are subject to Monitor size and position on pole.

## MM-1000 SERIES

### PRODUCT NUMBERS AND DATA

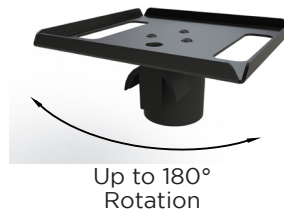
#### MM-10-401

- ✓ Payment Terminal Mount, Includes Plinth for all Tailwind FlexiPole Backplates
- ✓ Shipping Dimensions: 5.06" L X 4.62" W X 8.06" D
- ✓ Shipping Weight (lbs/kg): .44/.20
- ✓ Add any FlexiPole Backplate to complete this product
- ✓ Note: To mount an ENS Stand Conversion, use product MM-10-402 & contact ENS Sales for proper Conversion part number



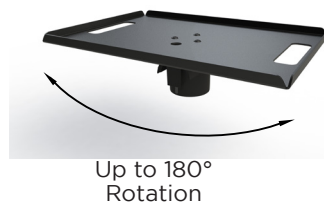
#### MM-10-501

- ✓ Printer Mount, small, for Printers with bases up to 5.7" (145mm) Wide X 6" (153mm) Deep
- ✓ Shipping Dimensions: 7.13" L X 7.13" W X 3.88" D
- ✓ Shipping Weight (lbs/kg): 1.14/.52



#### MM-10-502

- ✓ Printer Mount, large, for Printers with bases up to 7.8" (198mm) Wide X 11.26" (286mm) Deep
- ✓ Shipping Dimensions: 12.63" L X 8.13" W X 3.88" D
- ✓ Shipping Weight (lbs/kg): 2.34/1.06



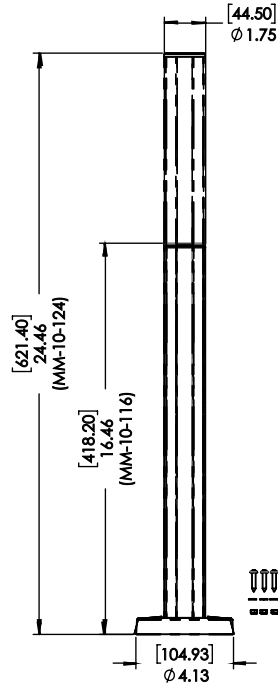
#### MM-10-601

- ✓ Scanner Mount, for Handheld Scanners
- ✓ Shipping Dimensions: 5.18" L X 4.50" W X 10.38" D
- ✓ Shipping Weight (lbs/kg): 3.14/1.42



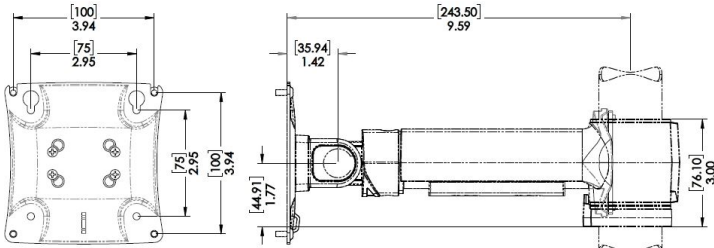
# MM-1000 SERIES

## PRODUCT DIMENSIONS

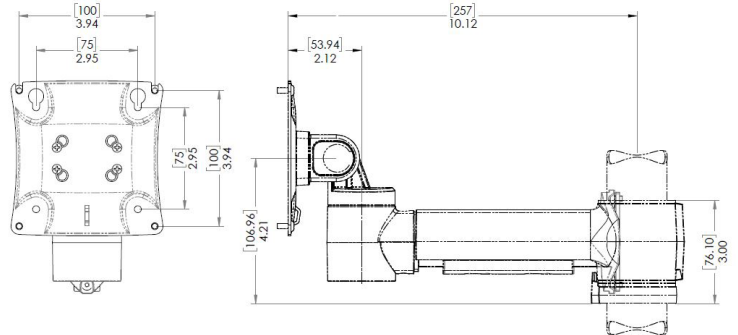


- INCLUDED HARDWARE:**
- 4X M5 X 70mm PHILLIPS SCREWS
  - 4X #10 X 1.00" PHILLIPS SCREWS
  - 4X STEEL WASHERS
  - 4X M5 NUTS

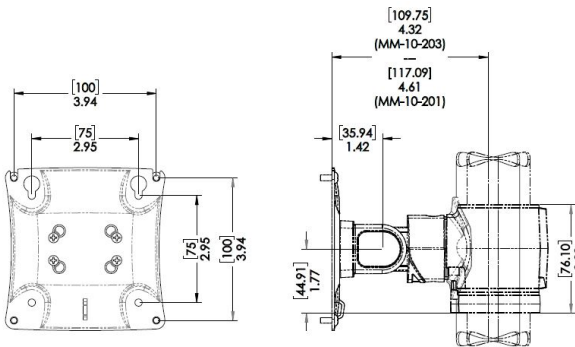
**Pole & Base**  
**16" OR 24"**



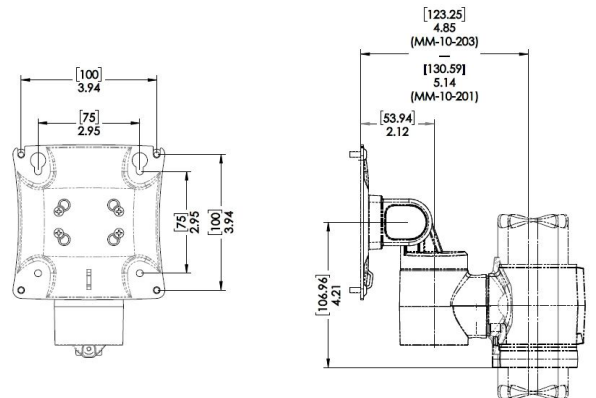
**Single Pivot Monitor Arm**



**Double Pivot Monitor Arm**



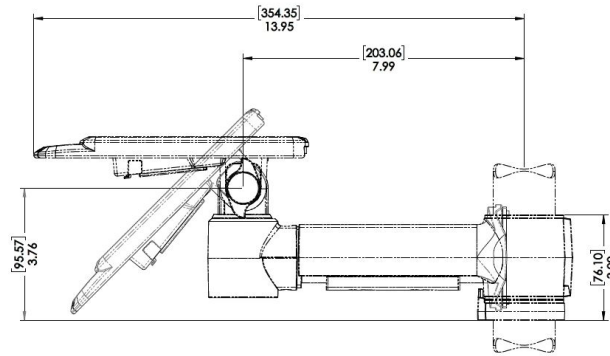
**Single Pivot Monitor Mount**



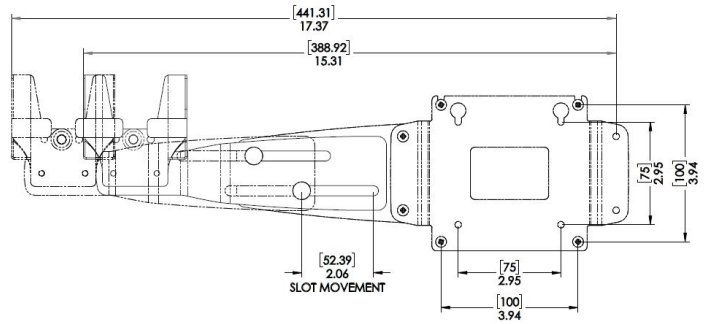
**Double Pivot Monitor Mount**

# MM-1000 SERIES

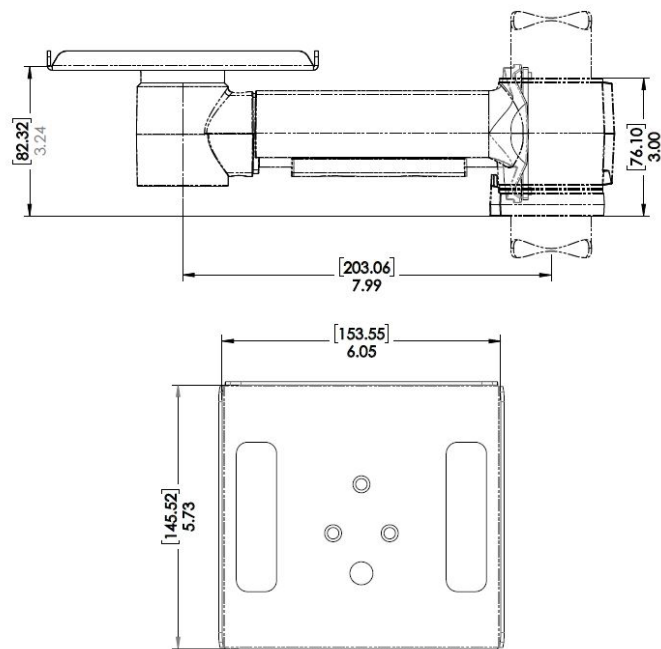
## PRODUCT DIMENSIONS



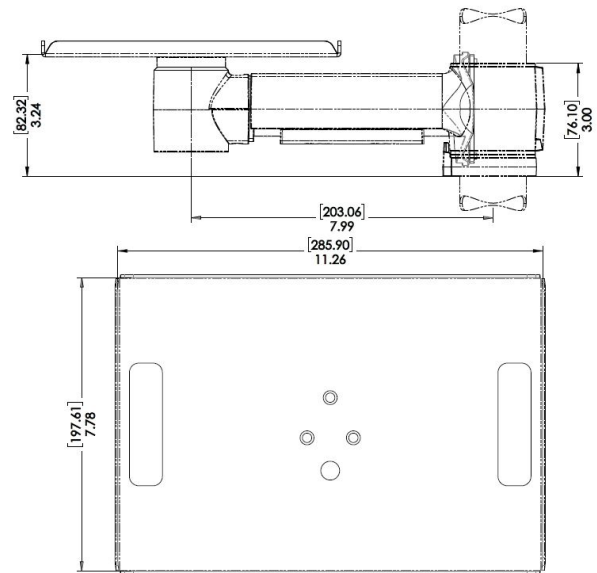
Payment Terminal Mount



Scanner Mount



Printer Mount, Small



Printer Mount, Large